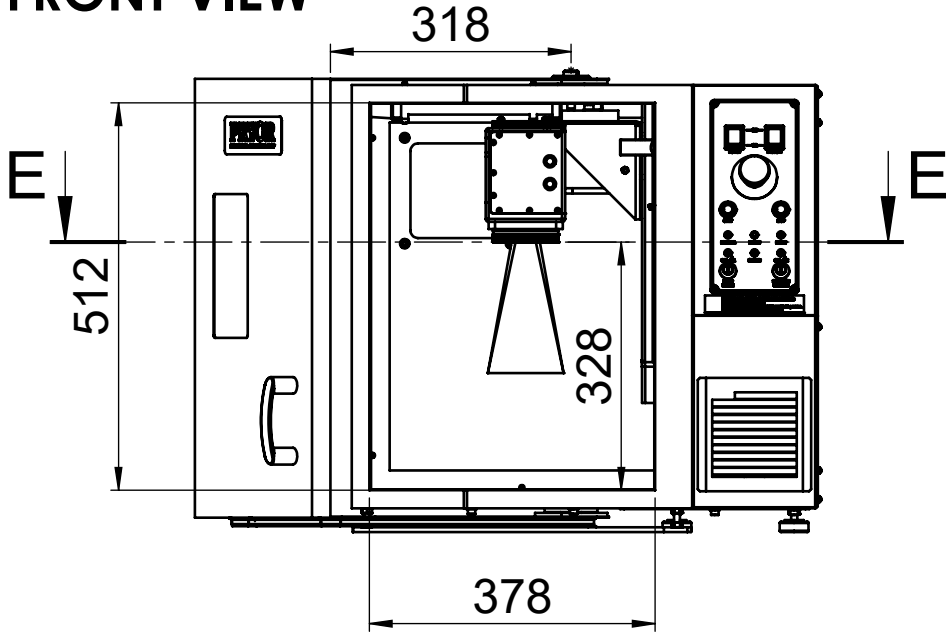
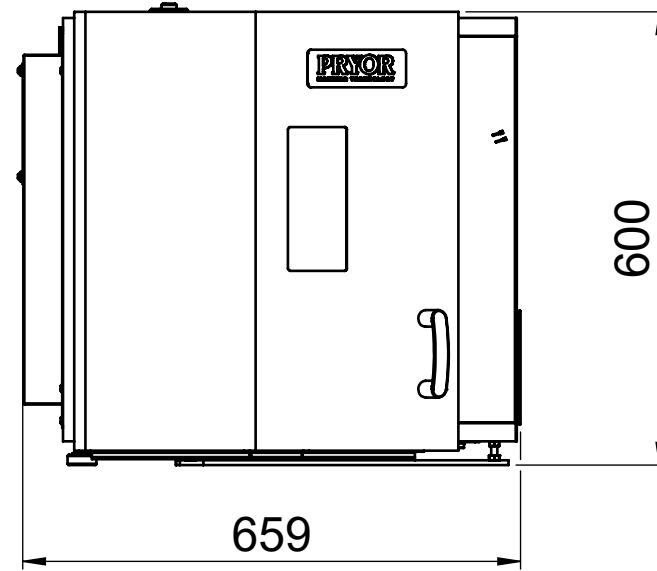


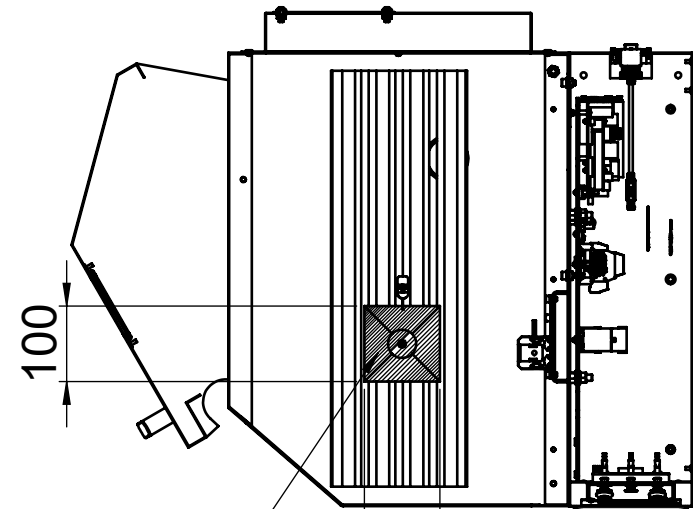
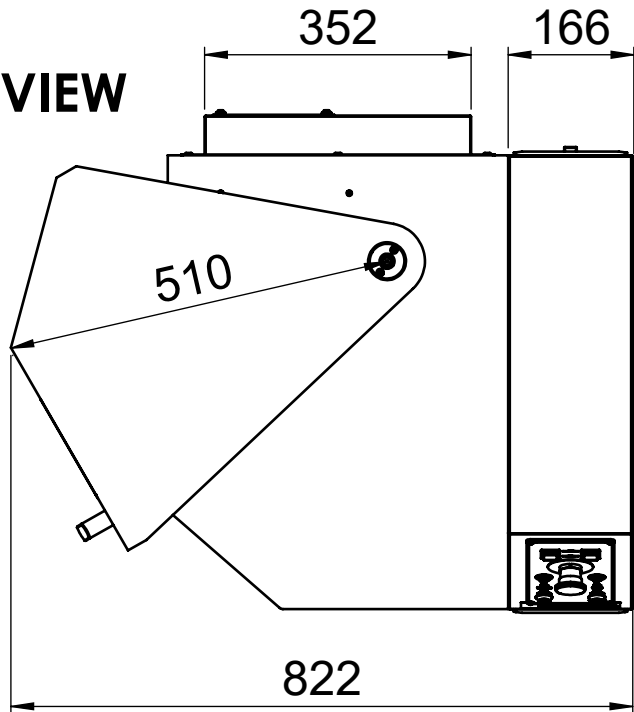
FRONT VIEW



SIDE VIEW



TOP VIEW



MARKING AREA

SECTION E-E